

# Specification Sheet

## 110.000.075 S LOWER PART

- No membrane flange
- Outlet: Ø3 inch, horizontal
- Stainless steel: AISI316L/EN1.4404

### Product Codes

EAN: 5705499107043

VVS Number:

RSK Number:

NRF Number:

LVI Number: 3303752

### Specification

Material: AISI 316L

Material (EN): EN 1.4404

Membrane Type: No Membrane

Number of Inlets: 0

Outlet dia. (mm): 75

Outlet Diameter (Inch): 3

Outlet Direction: Horizontal

Type: Lower Parts

Weight (kg): 1.12

Weight (lbs): 2.47

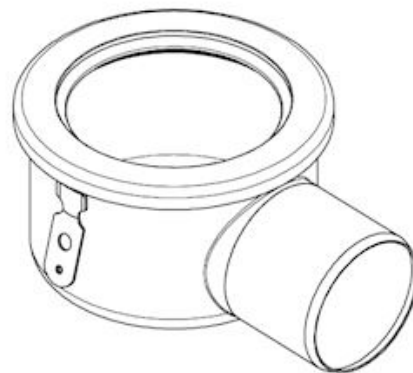
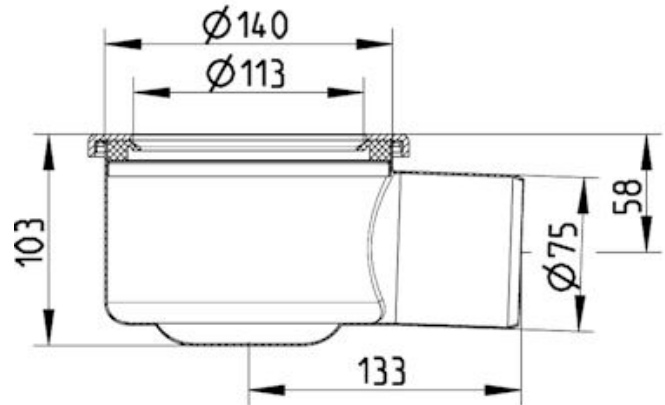
### Approvals



AUS - HACCP Region 1

RU - 0212321 Drains-21

PL - Hygienic Certificate - All Products



# BLÜCHER®