

# Specification Sheet

## 135.000.040 INSERT FOR SQUARE CAST IRON SHOWER DRAIN

-Outlet: Ø2 inch, vertical  
-Stainless steel: AISI304/EN1.4301

### Product Codes

EAN: 5705499100167  
VVS Number: 160385240  
RSK Number:  
NRF Number:  
LVI Number:

### Specification

Material: AISI 304  
Material (EN): EN 1.4301  
Outlet dia. (mm): 50  
Outlet Diameter (Inch): 2  
Type: Inserts  
Weight (kg): 1.32  
Weight (lbs): 2.91

### Approvals



DK - VA 2.44/19335-21



AUS - HACCP Region 1

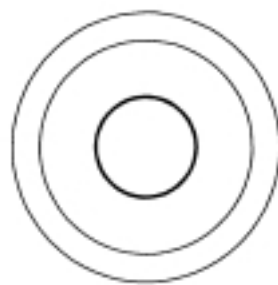
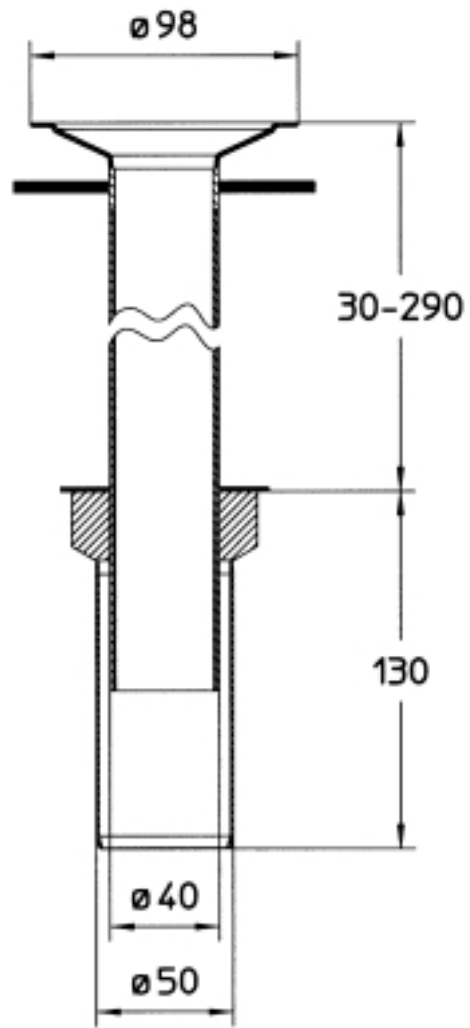
RU - 0212321 Drains-21

PL - Hygienic Certificate - All Products



**BLÜCHER**<sup>®</sup>

# Specification Sheet



**BLÜCHER<sup>®</sup>**