

Specification Sheet

145.300.110 S INTERMEDIATE SECTION

- With side inlets
- Stainless steel: AISI316L/EN1.4404

Product Codes

EAN: 5705499107203
VVS Number:
RSK Number:
NRF Number:
LVI Number:

Specification

Material: AISI 316L
Material (EN): EN 1.4404
Number of Inlets: 3 (Ø32/40mm)
Number of Inlets (Inch): 3 (Ø1-1/4 inch, 1-1/2 inch)
Outlet dia. (mm): 110
Outlet Diameter (Inch): 4
Type: Other Products
Weight (kg): 1
Weight (lbs): 2.2

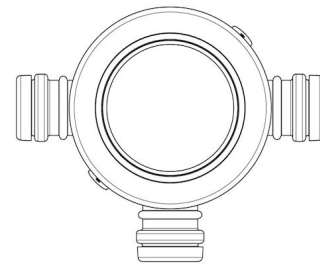
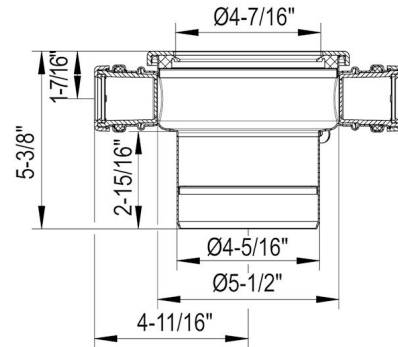
Approvals



AUS - HACCP Region 1

RU - 0212321 Drains-21

PL - Hygienic Certificate - All Products



BLÜCHER®