

Engineering Specification

Job Name _____
 Job Location _____
 Engineer _____
 Approval _____
 Tag _____

Contractor _____
 Approval _____
 Contractor's P.O. No. _____
 Representative _____

BCO-120 Floor Cleanout with Square Top for Vacuum Handle

Specification

BLÜCHER BCO-120 AISI Type 316 stainless steel floor cleanout w/gasket seal square top for vacuum handle cover removal, and spigot connection.

Dimensions

Model No.	Global Part #	Pipe Size D	Top Size F	H	H1
BCO-123-316	144.155.075 S	3"(75)	5 3/4"x5 3/4"(145x145)	6 3/16"(156)	2 1/2"(63)
*BCO-124-316	144.155.110 S	4"(110)	5 3/4"x5 3/4"(145x145)	4 3/4"(120)	-
*BCO-126-316	144.205.160 S	6"(160)	8"x8"(200x200)	6 1/4"(161)	-

Option	
Suffix	Description
-VH6	Large Vacuum Handle <input type="checkbox"/>

Load Rating
MD

NOTICE

The load classifications are in accordance with the American National Standards ASME A112.6.3 ASME Ratings are as follows: MD - Safe Live Load 2000-4999 lbs.(900-2250 kg) The above categories are given as a guide only. Please consult factory.

NOTICE

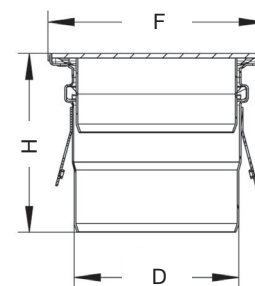
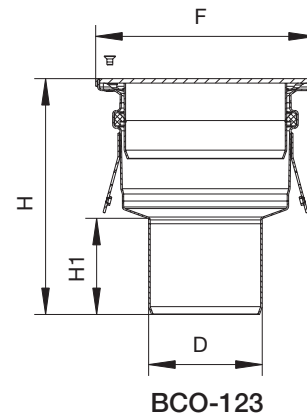
The information contained herein is not intended to replace the full product installation and safety information available or the experience of a trained product installer. You are required to thoroughly read all installation instructions and product safety information before beginning the installation of this product.



BCO-120



BFD-VH6



Approvals



Compliance with NSF/ANSI/3-A 14159-1-Hygiene Requirements for the Design of Meat and Poultry Processing Equipment



* Product is certified to the uniform plumbing code ASME A112.6.3



A WATTS Brand