

# Engineering Specification

Job Name \_\_\_\_\_ Contractor \_\_\_\_\_

Job Location \_\_\_\_\_ Approval \_\_\_\_\_

Engineer \_\_\_\_\_ Contractor's P.O. No. \_\_\_\_\_

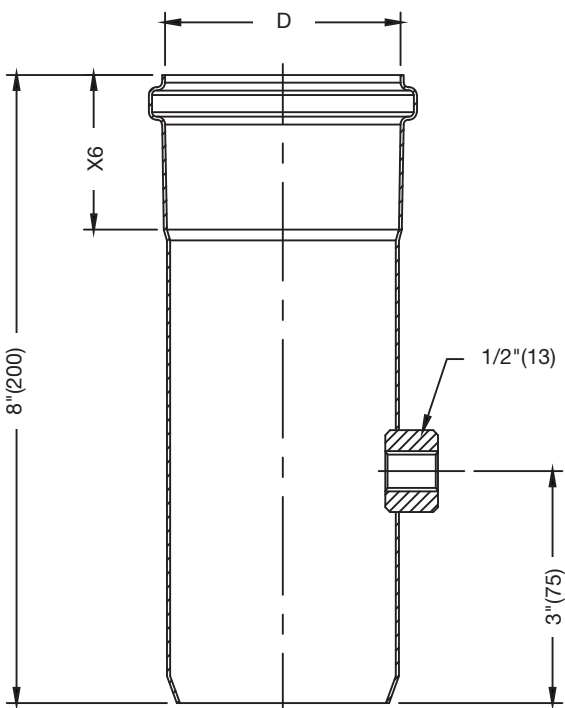
Approval \_\_\_\_\_ Representative \_\_\_\_\_

Tag \_\_\_\_\_

## BTPC Trap Primer Adaptor

### Specification:

BLÜCHER BTPC AISI stainless steel trap primer adaptor with 1/2"(13) IPS threaded tapping, push-fit socket connections



### Dimensions

Model No.	Global Part #	D	X	X6
BTPC-2-316	899-12911-07S	2"(50)	3"(75)	1-5/8"(41)
BTPC-3-316	899-12911-08S	3"(75)	3"(75)	2"(50)
BTPC-4-316	899-12911-10S	4"(110)	3"(75)	2-1/4"(57)
BTPC-6-316	899-12911-12S	6"(160)	3"(75)	2-7/8"(72)

### NOTICE

The information contained herein is not intended to replace the full product installation and safety information available or the experience of a trained product installer. You are required to thoroughly read all installation instructions and product safety information before beginning the installation of this product.

### Approvals



Compliance with NSF/ANSI/3-A 14159-1-Hygiene Requirements for the Design of Meat and Poultry Processing Equipment



Product is certified to the uniform plumbing code ASME A112.6.3



A WATTS Brand