

# Engineering Specification

Job Name \_\_\_\_\_  
 Job Location \_\_\_\_\_  
 Engineer \_\_\_\_\_  
 Approval \_\_\_\_\_  
 Tag \_\_\_\_\_

Contractor \_\_\_\_\_  
 Approval \_\_\_\_\_  
 Contractor's P.O. No. \_\_\_\_\_  
 Representative \_\_\_\_\_

## BCO-150 Heavy Duty Floor Cleanout with Round Top for Vacuum Handle

### Specification

BLÜCHER BCO-150 AISI Type 316 stainless steel heavy duty floor cleanout w/gasket seal round top for vacuum handle cover removal and spigot connection.

### Dimensions

Model No.	Global Part #	Pipe Size		
		D	H	H1
BCO-153-316	199-13488-05 S	3"(75)	6"(156)	2 1/2"(63)
*BCO-154-316	199-13488-02 S	4"(110)	7 1/8"(181)	-

Option		
Suffix	Description	
-VH6	Large Vacuum Handle	<input type="checkbox"/>

Load Rating
HD

### NOTICE

The load classifications are in accordance with the American National Standards ASME A112.6.3 ASME Ratings are as follows: HD - Safe Live Load 5000-7499 lbs.(2250-3375 kg) The above categories are given as a guide only. Please consult factory.

### NOTICE

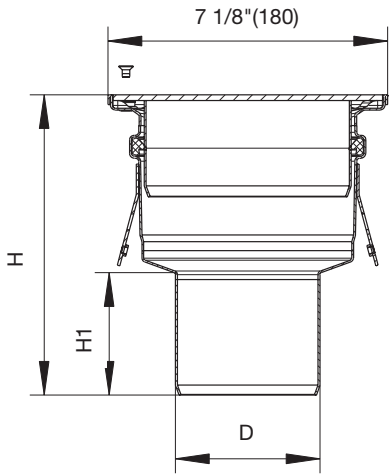
The information contained herein is not intended to replace the full product installation and safety information available or the experience of a trained product installer. You are required to thoroughly read all installation instructions and product safety information before beginning the installation of this product.



BCO-150



BFD-VH6



### Approvals



Compliance with NSF/ANSI/3-A 14159-1-Hygiene Requirements for the Design of Meat and Poultry Processing Equipment



\* Product is certified to the uniform plumbing code ASME A112.6.3



A WATTS Brand