

## For Commercial Applications

Job Name _____	Contractor _____
Job Location _____	Approval _____
Engineer _____	Contractor's P.O. No. _____
Approval _____	Representative _____
Tag _____	

# BFD-570-SO

## HygienicPro® Processing Drain with 12" Round Top, Side Outlet

### Specification

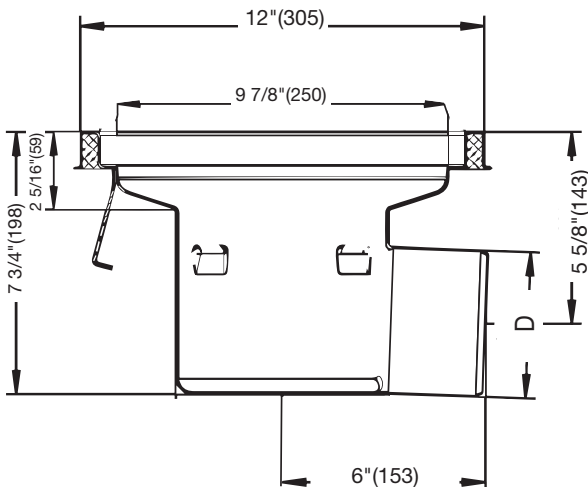
BLÜCHER HygienicPro® BFD-570-SO AISI Type 304 stainless steel processing drain with smooth interior, 12"(300) round top, AISI CF-8 cast grating, and side outlet.



**BFD-570-SO**

### Dimensions

Model No.	Global Part #	Pipe Size D
BFD-574	756.513.110	4"(110)



Suffix	Options (Select One Or More) Description	
-316	Type 316 Stainless Steel	<input type="checkbox"/>
-B	Sediment Basket	<input type="checkbox"/>
-P	Stainless Steel P-Trap	<input type="checkbox"/>
-TPT	Trap Primer Tapping	<input type="checkbox"/>

### Approvals



Compliance with NSF/ANSI/3-A 14159-1-Hygiene Requirements for the Design of Meat and Poultry Processing Equipment



### NOTICE

The information contained herein is not intended to replace the full product installation and safety information available or the experience of a trained product installer. You are required to thoroughly read all installation instructions and product safety information before beginning the installation of this product.



**A WATTS Brand**