

# Engineering Specification

Job Name _____	Contractor _____
Job Location _____	Approval _____
Engineer _____	Contractor's P.O. No. _____
Approval _____	Representative _____
Tag _____	

## BCO-220 Floor Cleanout with Surface Membrane Clamp, (For Rubberized Sheet Flooring) Specification

BLÜCHER BCO-220 AISI Type 316 stainless steel floor cleanout w/gasket seal round top w/surface membrane clamp for vacuum handle cover removal, and spigot connection.



BCO-220

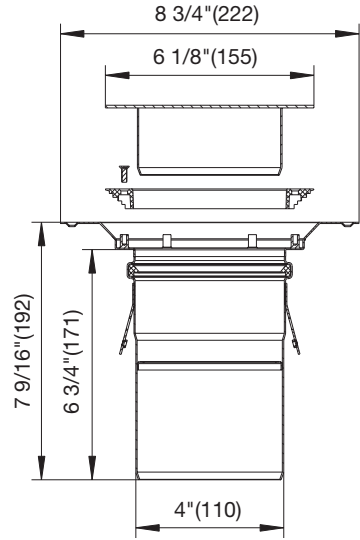


BFD-VH6

### Dimensions

Model No.	Global Part #
BCO-224-316	244.155.110 S

Options		
Suffix	Description	
-VH6	Large Vacuum Handle	<input type="checkbox"/>



### Approvals



Compliance with NSF/ANSI/3-A 14159-1-Hygiene Requirements for the Design of Meat and Poultry Processing Equipment



\* Product is certified to the uniform plumbing code ASME A112.6.3

### NOTICE

The information contained herein is not intended to replace the full product installation and safety information available or the experience of a trained product installer. You are required to thoroughly read all installation instructions and product safety information before beginning the installation of this product.



A **WATTS Brand**