

Job Name _____
 Job Location _____
 Engineer _____
 Approval _____
 Tag _____

Contractor _____
 Approval _____
 Contractor's P.O. No. _____
 Representative _____





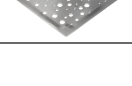
BSS-300

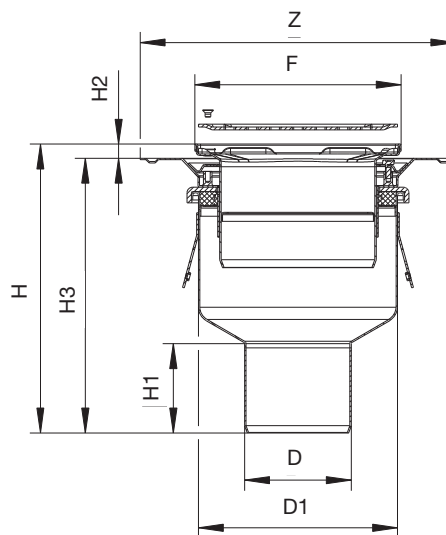
Bottom Outlet Shower Drain with Square Top

Specification:

BLÜCHER BSS-300 AISI Type 304 stainless steel adjustable shower drain with 6" x 6" (145x145) square top, membrane clamping flange, Vienna grating (standard), and bottom outlet.



OPTIONAL GRATINGS			
	SUFFIX	DESCRIPTION	
	-A	Athens	<input type="checkbox"/>
	-C	Copenhagen	<input type="checkbox"/>
	-D	Detroit	<input type="checkbox"/>
	-N	New York	<input type="checkbox"/>
	-O	Oslo	<input type="checkbox"/>



NOTICE

The information contained herein is not intended to replace the full product installation and safety information available or the experience of a trained product installer. You are required to thoroughly read all installation instructions and product safety information before beginning the installation of this product.

Approvals



Compliance with NSF/ANSI/3-A 14159-1-Hygiene Requirements for the Design of Meat and Poultry Processing Equipment



Product is certified to the uniform plumbing code ASME A112.6.3

Watts product specifications in U.S. customary units and metric are approximate and are provided for reference only. For precise measurements, please contact Watts Technical Service. Watts reserves the right to change or modify product design, construction, specifications, or materials without prior notice and without incurring any obligation to make such changes and modifications on Watts products previously or subsequently sold.



A WATTS Brand

Dimensional Chart

MODEL NO.	PIPE SIZE		TOP SIZE					
	D	D1	F	Z	H	H1	H2	H3
					ADJUSTABLE		ADJUSTABLE	ADJUSTABLE
BSS-302	2"(50)	5-1/2"(140)	6"x6"(145x145)	8-3/4"(222)	8-1/8"(207) - 10-1/4"(261)	2-5/16"(58)	7/16"(10) - 2"(50)	7-3/4"(197) - 8-3/8"(212)
BSS-303	3"(75)	5-1/2"(140)	6"x6"(145x145)	8-3/4"(222)	8"(203) - 10-13/16"(258)	2-1/2"(63)	7/16"(10) - 2"(50)	7-5/8"(193) - 8-3/16"(208)
BSS-304	4"(110)	5-1/2"(140)	6"x6"(145x145)	8-3/4"(222)	6-3/4"(171) - 8-7/8"(226)	3-1/8"(79)	7/16"(10) - 2"(50)	6-5/16"(161) - 6-15/16"(176)



A **WATTS** Brand

USA: T: (800) 338-2581 • F: (828) 248-3929 • Watts.com
Canada: T: (905) 332-4090 • F: (905) 332-7068 • Watts.ca
Latin America: T: (52) 55-4122-0138 • Watts.com