

For Commercial Applications

Job Name _____ Contractor _____
 Job Location _____ Approval _____
 Engineer _____ Contractor's P.O. No. _____
 Approval _____ Representative _____
 Tag _____

BFD-610-R

Gastight Industrial Drain With Round Top

Specification

BLÜCHER BFD-610-R AISI Type 316L stainless steel floor drain with 8"x8" round solid gastight cover for vacuum handle removal, and bottom outlet.

Dimensions

Model No.	Global Part #	Pipe Size D
BFD-613-R	760.552.075S	3"(76)
*BFD-614-R	760.552.110S	4"(110)

Suffix	Options (Select One Or More) Description	
-B	Sediment Basket	<input type="checkbox"/>
-P	Stainless Steel P-Trap	<input type="checkbox"/>
-TPT	Trap Primer Tapping	<input type="checkbox"/>
-VH4	Small Vacuum Handle	<input type="checkbox"/>
-VH6	Large Vacuum Handle	<input type="checkbox"/>



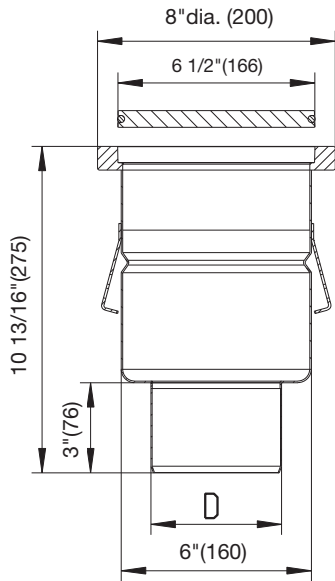
BFD-VH4



BFD-VH6



BFD-610-R



Approvals



Compliance with NSF/ANSI/3-A 14159-1-Hygiene Requirements for the Design of Meat and Poultry Processing Equipment



*Product is certified to the uniform plumbing code ASME A112.6.3

NOTICE

The information contained herein is not intended to replace the full product installation and safety information available or the experience of a trained product installer. You are required to thoroughly read all installation instructions and product safety information before beginning the installation of this product.



A WATTS Brand