

For Commercial Applications

Job Name _____ Contractor _____

Job Location _____ Approval _____

Engineer _____ Contractor's P.O. No. _____

Approval _____ Representative _____

Tag _____

BFD-510-SO


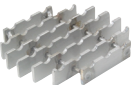
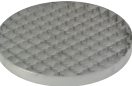

Floor Drain w/8" Round Top, Surface Membrane Clamp (For Rubberized Sheet Flooring)

Specification

BLÜCHER BFD-510-SO AISI Type 304 stainless steel floor drain with 8"(200) round top with surface membrane clamp, 1/8"(3) grating (standard), and side outlet.

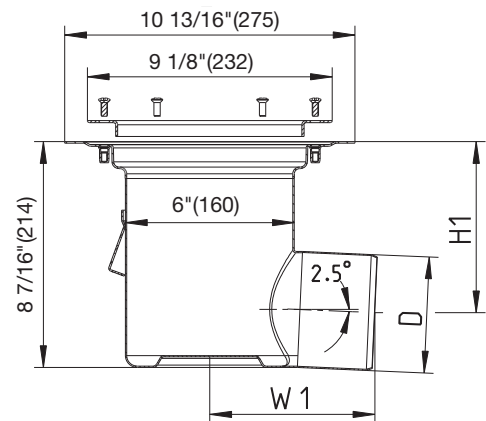
Dimensions

Model No.	Global Part #	Pipe Size D	H1	W1
BFD-513-SO	763.602.075	3"(75)	7 1/8"(181)	9 15/16"(253)
*BFD-514-SO	763.602.110	4"(110)	6 3/8"(162)	6 3/16"(156)

Optional Gratings			
Image	Suffix	Description	
	-None	1/8" (Standard)	<input type="checkbox"/>
	-LG	Ladder	<input type="checkbox"/>
	-MG	Mesh	<input type="checkbox"/>
	-SG	Slot	<input type="checkbox"/>



BFD-510-SO



Suffix	Options (Select One Or More) Description	
-150	1/2 Grate (Standard Grating)	<input type="checkbox"/>
-175	3/4 Grate (Standard Grating)	<input type="checkbox"/>
-316	Type 316 Stainless Steel	<input type="checkbox"/>
-B	Sediment Basket	<input type="checkbox"/>
-P	Stainless Steel P-Trap	<input type="checkbox"/>
-SB	Sand Bucket	<input type="checkbox"/>
-TPT	Trap Primer Tapping	<input type="checkbox"/>
-VP	Grate Secured w/Vandal Proof Screws	<input type="checkbox"/>

Approvals



Compliance with NSF/ANSI/3-A 14159-1-Hygiene Requirements for the Design of Meat and Poultry Processing Equipment



* Product is certified to the uniform plumbing code ASME A112.6.3



A WATTS Brand

NOTICE

The information contained herein is not intended to replace the full product installation and safety information available or the experience of a trained product installer. You are required to thoroughly read all installation instructions and product safety information before beginning the installation of this product.