

## For Commercial Applications

Job Name \_\_\_\_\_  
 Job Location \_\_\_\_\_  
 Engineer \_\_\_\_\_  
 Approval \_\_\_\_\_  
 Tag \_\_\_\_\_

Contractor \_\_\_\_\_  
 Approval \_\_\_\_\_  
 Contractor's P.O. No. \_\_\_\_\_  
 Representative \_\_\_\_\_

# BFD-610

## Gastight Industrial Drain With Square Top

### Specification

BLÜCHER BFD-610 AISI Type 316L stainless steel floor drain with 8"x8" square solid gastight cover for vacuum handle removal, and bottom outlet.

### Dimensions

Model No.	Global Part #	Pipe Size D
BFD-613	760.452.075S	3"(76)
*BFD-614	760.452.110S	4"(110)

Suffix	Options (Select One Or More) Description	
-B	Sediment Basket	<input type="checkbox"/>
-P	Stainless Steel P-Trap	<input type="checkbox"/>
-TPT	Trap Primer Tapping	<input type="checkbox"/>
-VH4	Small Vacuum Handle	<input type="checkbox"/>
-VH6	Large Vacuum Handle	<input type="checkbox"/>



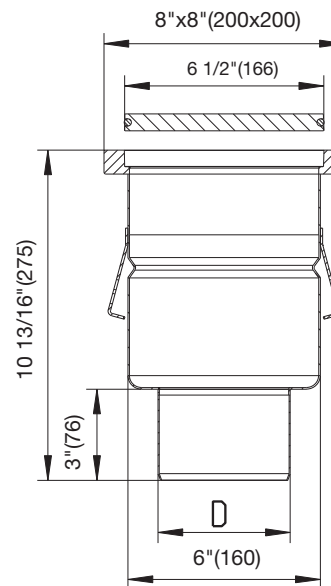
**BFD-VH4**



**BFD-VH6**



**BFD-610**



### Approvals



Compliance with NSF/ANSI/3-A 14159-1-Hygiene Requirements for the Design of Meat and Poultry Processing Equipment



\*Product is certified to the uniform plumbing code ASME A112.6.3

### NOTICE

The information contained herein is not intended to replace the full product installation and safety information available or the experience of a trained product installer. You are required to thoroughly read all installation instructions and product safety information before beginning the installation of this product.



**A WATTS Brand**