

# Engineering Specification

Job Name \_\_\_\_\_  
 Job Location \_\_\_\_\_  
 Engineer \_\_\_\_\_  
 Approval \_\_\_\_\_  
 Tag \_\_\_\_\_

Contractor \_\_\_\_\_  
 Approval \_\_\_\_\_  
 Contractor's P.O. No. \_\_\_\_\_  
 Representative \_\_\_\_\_

## BCO-1200-RX-28 Floor Cleanout with Extra Heavy Duty Round Stainless Steel Top Specification

BLÜCHER BCO-1200-RX-28 stainless steel floor cleanout with 5" round adjustable gasketed extra heavy duty stainless steel top, removable gas tight gasketed stainless steel cleanout plug, and no hub (standard) outlet.



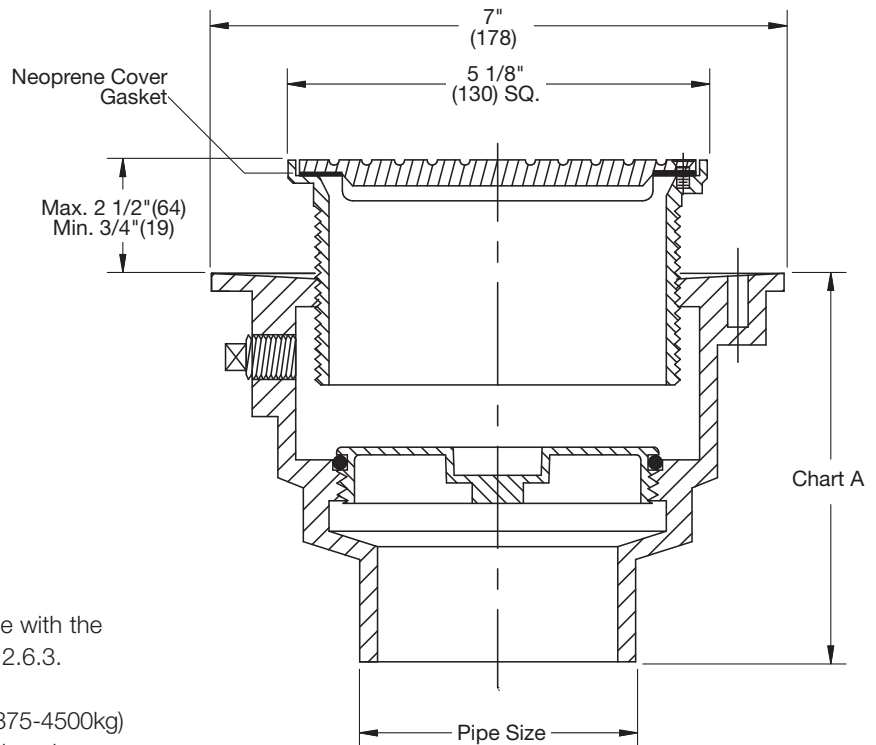
Model No.	Pipe Size	
BCO-1203-RX-28	3"(76)	<input type="checkbox"/>
BCO-1204-RX-28	4"(110)	<input type="checkbox"/>

Outlet Type		
Suffix	Description	
NH	No Hub (MJ)	<input type="checkbox"/>

Options		
Suffix	Description	
-C	Membrane Clamp	<input type="checkbox"/>
-6	Vandal Proof	<input type="checkbox"/>

NH(MJ)	
Pipe Size	No Hub
3"	4 1/2" (114)
4"	4 3/4"(121)

**Load Rating** \* The load classifications are in accordance with the American National Standards ASME A112.6.3.  
 \*XHD ASME Ratings are as follows:  
 XHD - Safe Live Load 7500-10000 lbs.(3375-4500kg)  
 The above categories are given as a guide only.  
 Please consult factory.



**NOTICE**

The information contained herein is not intended to replace the full product installation and safety information available or the experience of a trained product installer. You are required to thoroughly read all installation instructions and product safety information before beginning the installation of this product.



A WATTS Brand