

Engineering Specification

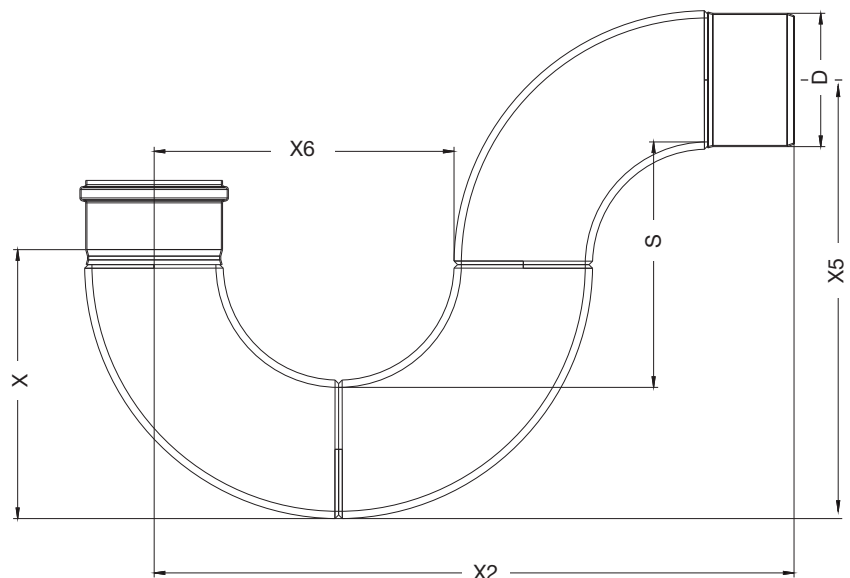
Job Name _____	Contractor _____
Job Location _____	Approval _____
Engineer _____	Contractor's P.O. No. _____
Approval _____	Representative _____
Tag _____	

PT-XL SCH 40S Long Radius P-Trap w/ BLÜCHER Hub and Spigot



Specification

BLÜCHER PT-XL SCH 40S long radius P-Trap AISI Type 316L (standard) stainless steel pipe system, SCH 40S elbows with Push-Fit socket connections with EPDM (standard) sealing ring. All pipe to be treated with pickling and passivation finish process.



PT-XL Dimensional Chart

Model No.	Global Part #	D	S	X	X2	X5	X6
PT-3XL	599-9000212-02 S	3"(75)	6"(151)	6 5/8"(168)	15 7/8"(403)	10 1/16"(256)	7 1/4"(184)
PT-4XL	599-9000212-01 S	4"(110)	8"(202)	8 3/4"(222)	20 3/4"(528)	13 1/8"(334)	9 3/4"(247)
PT-6XL	599-9000212-03 S	6"(160)	12"(303)	12 7/8"(328)	30 5/8"(778)	18 7/8"(480)	14 5/8"(373)

NOTICE

The information contained herein is not intended to replace the full product installation and safety information available or the experience of a trained product installer. You are required to thoroughly read all installation instructions and product safety information before beginning the installation of this product.



A WATTS Brand

USA: T: (800) 338-2581 • F: (828) 248-3929 • BLUCHERpipe.com
Canada: T: (888) 208-8927 • F: (888) 479-2887 • BLUCHERpipe.com
Latin America: T: (52) 55-4122-0138 • BLUCHERpipe.com