

Engineering Specification

Job Name _____	Contractor _____
Job Location _____	Approval _____
Engineer _____	Contractor's P.O. No. _____
Approval _____	Representative _____
Tag _____	

BFD-580

HygienicPro® Heavy-Duty 12" Round Top Sanitary Floor Drain w/Bottom Outlet



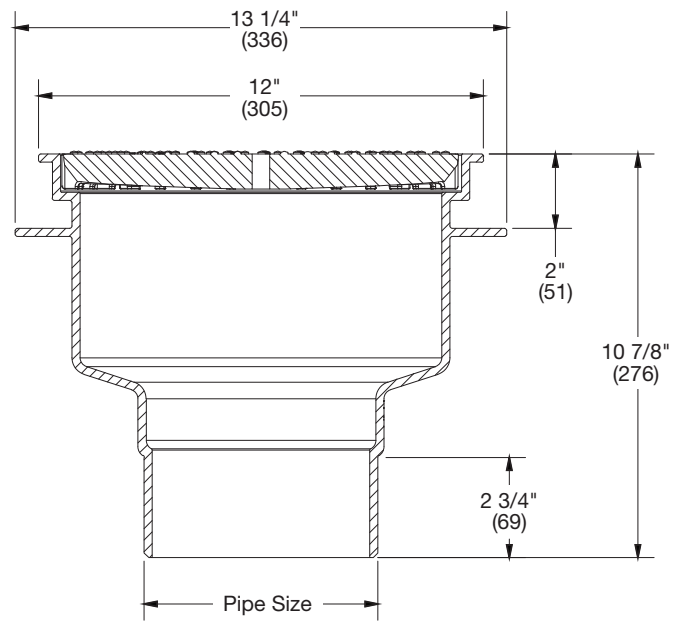
Specification

BLÜCHER HygienicPro® heavy-duty BFD-580 AISI Type 304, cast stainless steel sanitary floor drain with 12" round top, standard grating, and bottom outlet. Model options include 4" and 6" outlet sizes.

Dimensions

Model No.	EDP	H	Pipe Size D
BFD-584	BFD-584	10 7/8" (276)	4" (110)
BFD-586	BFD-586	10 7/8" (276)	6" (160)

Options		
Suffix	Description	
-316	Type 316 Stainless Steel	<input type="checkbox"/>
-B	Sediment Basket	<input type="checkbox"/>
-TPT	Trap Primer Tapping	<input type="checkbox"/>
-WT	Water Trap	<input type="checkbox"/>



NOTICE

The information contained herein is not intended to replace the full product installation and safety information available or the experience of a trained product installer. You are required to thoroughly read all installation instructions and product safety information before beginning the installation of this product.

Certifications



Compliance with NSF/ANSI/3-A 14159-1-Hygiene Requirements for the Design of Meat and Poultry Processing Equipment



A WATTS Brand