

Engineering Specification

Job Name _____
 Job Location _____
 Engineer _____
 Approval _____

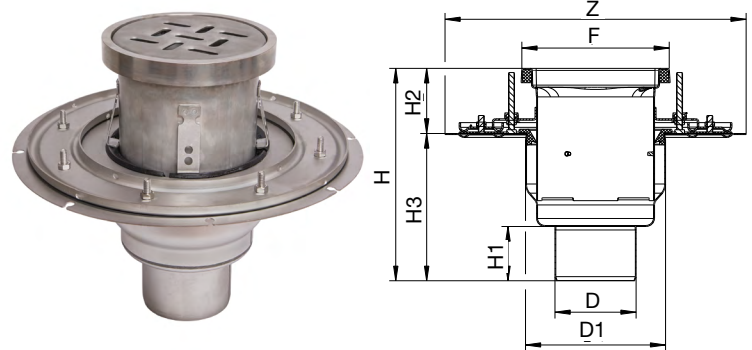
Contractor _____
 Approval _____
 Contractor's P.O. No. _____
 Representative _____

BFD-110-R Adjustable Floor Drain with 8" Round Top, Membrane Clamp & Bottom Outlet

Specification

BLÜCHER BFD-110-R AISI Type 304 stainless steel adjustable floor drain with 8"(203) round top, membrane clamping flange (3) grating (standard), and bottom outlet

Call customer service at 1 (800) 338-2581 if you need assistance with technical details.



Dimensions

Model No.	Global Part #	Pipe Size D	D1	Top Size F	Z	H Adjustable	H1	H2 Adjustable	H3
BFD-113-R	774.502.000 775.002.075	3"(75)	7-1/2"(190)	8"x 8" (200x200)	16-1/8"(409)	11-1/4"(286)- 13-5/8"(346)	2-9/16"(65)	3-5/8"(91)- 6"(151)	7-11/16"(195)
BFD-114-R	774.502.000 775.002.110	4"(110)	7-1/2"(190)	8"x 8" (200x200)	16-1/8"(409)	11-11/16"(297)- 14-1/16"(357)	3"(76)	3-5/8"(91)- 6"(151)	8-1/8"(206)

Options		
Suffix	Description	Select
-150	1/2 Grate (Standard Grating)	
-175	3/4 Grate (Standard Grating)	
-316	Type 316 Stainless Steel	
-B	Sediment Basket	
-P	Stainless Steel P-Trap	
-R	8" Round Top	
-SB	Sand Bucket	
-TPT	Trap Primer Tapping	
-VP	Grate Secured w/Vandal Proof Screws	

Optional Gratings			
	Suffix	Description	Select
	-None	1/8" (Standard)	
	-HG	Hygienic-Pro	
	-LG	Ladder	
	-MG	Mesh	
	-SG	Slot	

Please see ES-B-Commercial/Industrial Round Gratings for more information.

NOTICE

The information contained herein is not intended to replace the full product installation and safety information available or the experience of a trained product installer. You are required to thoroughly read all installation instructions and product safety information before beginning the installation of this product.

Watts product specifications in U.S. customary units and metric are approximate and are provided for reference only. For precise measurements, please contact Watts Technical Service. Watts reserves the right to change or modify product design, construction, specifications, or materials without prior notice and without incurring any obligation to make such changes and modifications on Watts products previously or subsequently sold.

Approvals



Compliance with NSF/ANSI/3-A 14159-1-Hygiene Requirements for the Design of Meat and Poultry Processing Equipment



Product is certified to the uniform plumbing code ASME A112.6.3



A WATTS Brand