

# Engineering Specification

Job Name \_\_\_\_\_ Contractor \_\_\_\_\_

Job Location \_\_\_\_\_ Approval \_\_\_\_\_

Engineer \_\_\_\_\_ Contractor's P.O. No. \_\_\_\_\_

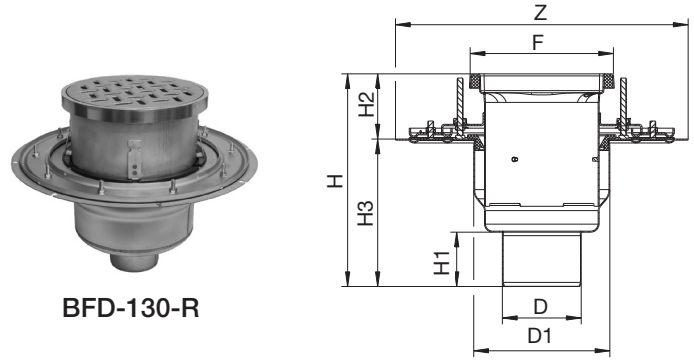
Approval \_\_\_\_\_ Representative \_\_\_\_\_

Tag \_\_\_\_\_

## BFD-130-R

### Adjustable Floor Drain with 12" Round Top, Membrane Clamp, Bottom Outlet Specification

BLÜCHER BFD-130-R AISI Type 304 stainless steel adjustable floor drain with 12"(305) round top, membrane clamping flange, 1/8"(3) grating (standard), and bottom outlet.



**BFD-130-R**

### Dimensions

Model No.	Global Part #	Pipe Size D	D1	Top Size F	Z	H Adjustable	H1	H2 Adjustable	H3
BFD-133-R	774.503.000 775.003.075	3"(75)	10 11/16"(272)	12"(305)	20"(507)	13 1/4"(337) 15 1/16"(383)	2 9/16"(65)	2 3/16"(56) 4"(102)	11 1/16"(281)
BFD-134-R	774.503.000 775.003.110	4"(110)	10 11/16"(272)	12"(305)	20"(507)	13 5/8"(346) 15 7/16"(392)	3"(76)	2 3/16"(56) 4"(102)	11 7/16"(290)
BFD-136-R	774.503.000 775.003.160	6"(160)	10 11/16"(272)	12"(305)	20"(507)	14 5/16"(364) 16 1/8"(410)	3 3/4"(95)	2 3/16"(56) 4"(102)	12 1/8"(308)

Optional Gratings			
Suffix	Description		
	-None	1/8" (Standard)	<input type="checkbox"/>
	-HG	Hygienic-Pro	<input type="checkbox"/>
	-LG	Ladder	<input type="checkbox"/>
	-MG	Mesh	<input type="checkbox"/>
	-SG	Slot	<input type="checkbox"/>
	-XXLG	Fully Welded Ladder	<input type="checkbox"/>

Options (Select One Or More)		
Suffix	Description	
-150	1/2 Grate (Standard Grating)	<input type="checkbox"/>
-175	3/4 Grate (Standard Grating)	<input type="checkbox"/>
-316	Type 316 Stainless Steel	<input type="checkbox"/>
-B	Sediment Basket	<input type="checkbox"/>
-SB	Sand Bucket	<input type="checkbox"/>
-TPT	Trap Primer Tapping	<input type="checkbox"/>
-VP	Grate Secured w/Vandal Proof Screws	<input type="checkbox"/>

### Approvals



Product is certified to the uniform plumbing code ASME A112.6.3



Compliance with NSF/ANSI/3-A 14159-1- Hygiene Requirements for the Design of Meat and Poultry Processing Equipment

### NOTICE

The information contained herein is not intended to replace the full product installation and safety information available or the experience of a trained product installer. You are required to thoroughly read all installation instructions and product safety information before beginning the installation of this product.



**A WATTS Brand**